

1 2 3 4 5 6

A

A

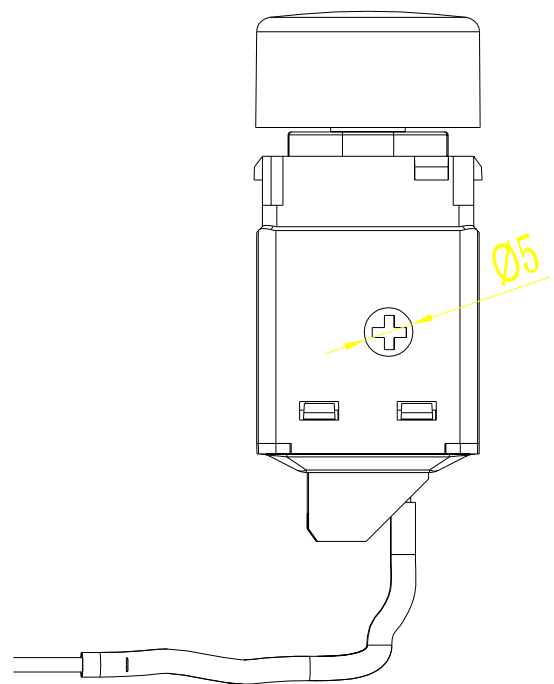
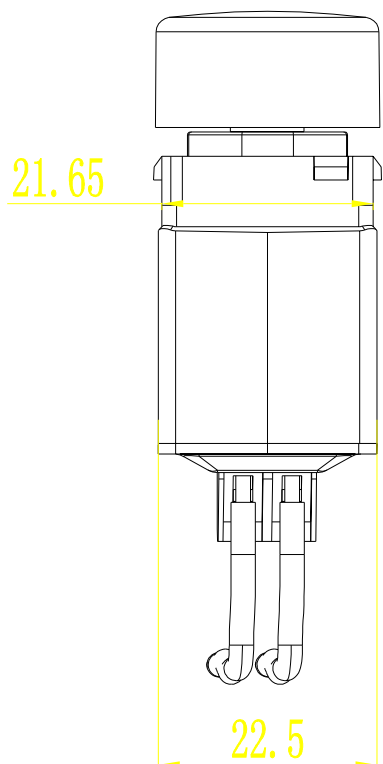
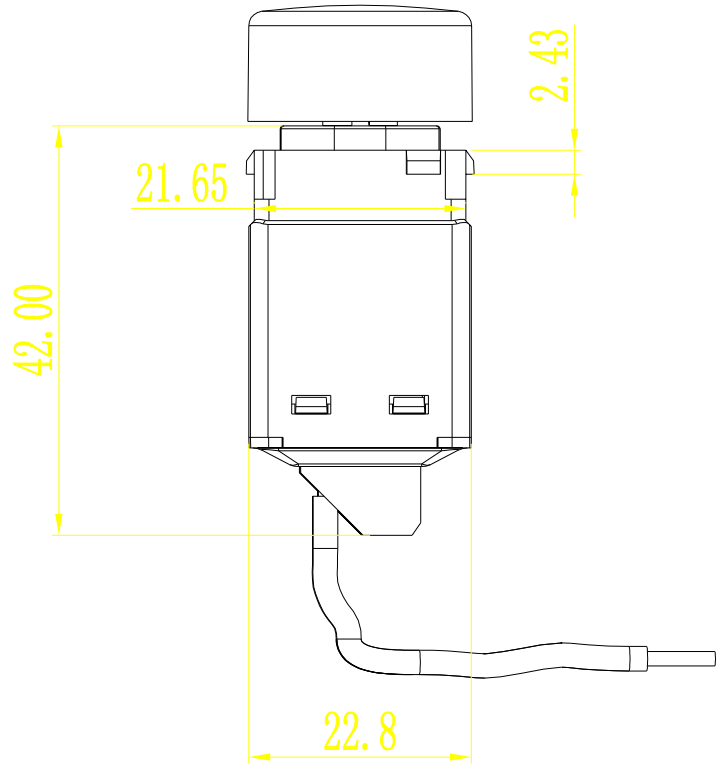
B

B

C

C

D



Line :
 L = 120mm
 D = 2.5mm

UNLESS OTHERWISE SPECIFIED: DIMENSIONS ARE IN MILLIMETERS				FINISH:		DEBUR AND BREAK SHARP EDGES		DO NOT SCALE DRAWING		REVISION Ver 000	
SURFACE FINISH:								Legend Tech International Holdings Ltd.			
TOLERANCES:								TITLE:			
LINEAR:								1_10V Controller_Product figure			
ANGULAR:											
DRAWN	NAME	SIGNATURE	DATE								
CHKD	Vita	20-11-2014									
APPVD	Chris	20-11-2014									
MFG											
QA						MATERIAL:		DWG NO.		A4	

1 2