



Tune-able White Lighting

Tune-able White Lighting provides a high degree-of-freedom for the users to adjust the lighting effect over a wide range of brightness intensity level and color temperature (CCT) values. Unlike Warm Dimming, there is **no compromising the Brightness Intensity when changing the Color Temperature**. Below is the lighting effect of our Tune-able 3-Phase Track Light, which shows that at a particular Brightness Intensity level, the CCT value can be anywhere from the Rated Cool White and Warm White CCT boundary values.



Intuitive Approach for Brightness & CCT Control

Our DZ2G300TUNE solution lets users adjust the Brightness and CCT Value by using **Two Rotary Buttons**. Besides the dynamic lighting control, this solution also features **Hotkey operations** and allows users to **Save their Preferred CCT values and Directly Access** these preset values for daily operations.



Hardware-Only Control

Our Hardware-only solution particularly suits for Professional Display application, which require multiple sets all individually controlled to cover all the angles and color tone. As **no Mobile APP is required for operation**, it is **easy to maintain in the long run**.



Directional Tune-able White Lighting Support

Besides controller and drivers, we also provide our own **Tune-able White Directional LED Lighting Fixtures** with **High Color Rendering (CRI) performance** suitable for Diamonds Lighting, making it much easier for customers to work with.



Adjustable Recessed Downlight



Linear Light Bar

Dual Push Button Interface

Our DZ2G300TUNE solution also has a Dual Push Button interface to achieve the same Dynamic Lighting effect. Another of our **Hard Anodized** faceplate design shown on the right.



Field Installation

Shown on the right, multiple units of our DZ2G300TUNE solution are installed in an **International Auction House's Jewel Catalogue Room** to provide Dynamic Lighting environment for **Professional Jewelers**.



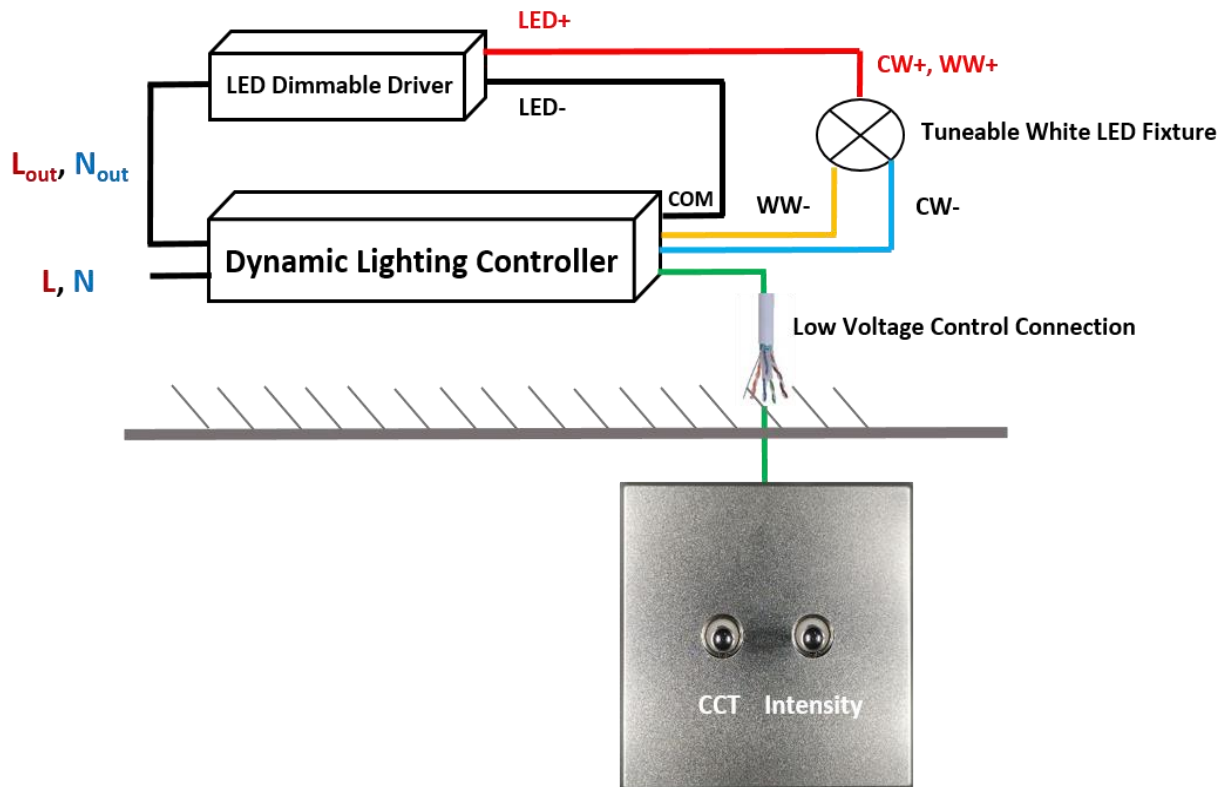


Dynamic Lighting Solution, DZ2G300TUNE

www.legendtech.com.hk

Wiring

While each Controller can connect more than a single light, below Wiring Diagram shows the minimal wiring per set for the DZ2G300TUNE solution.



Faceplate Design

Two types of solid aluminium alloy faceplate designs are available:

Classic Design



Modern Design

