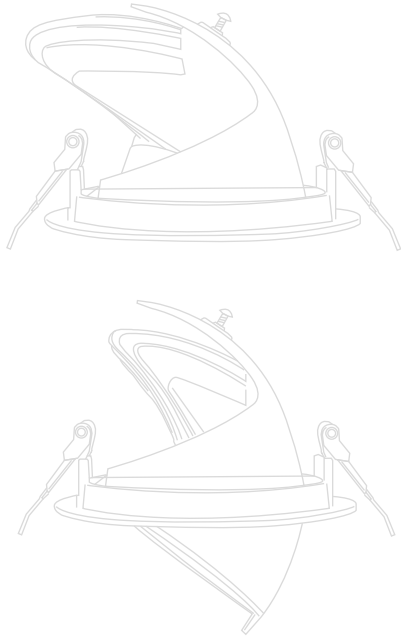




LEGENDTECH®

Dynamic Lighting



LTAD-6527-C18-24D

Tunable White LED Adjustable Recessed Downlight



Tunable White LED Adjustable Recessed Downlight

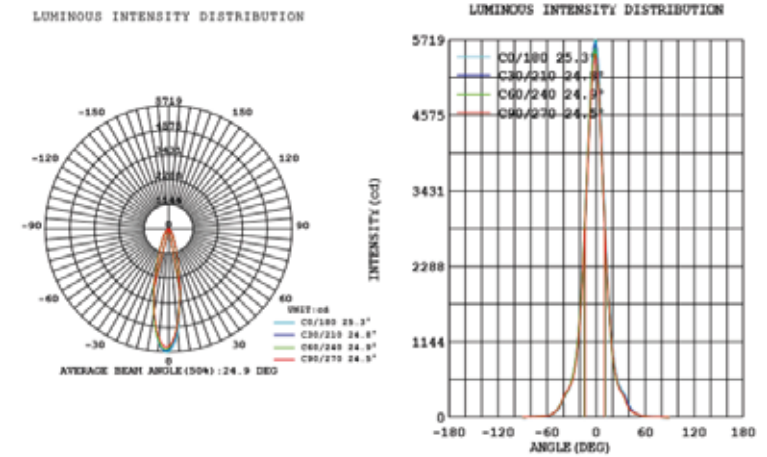
LTAD-6527-C18-24D is a 20W tunable white adjustable recessed downlight that allows users to adjust the intensity (dimable) and Correlated Colour Temperature (CCT) independently in the CCT range of 6500K – 2700K, CRI 90.

Target Applications

- Art Gallery
- Museum
- Retail and Boutiques
- Professional Display
- Exhibition

Photometric Measurements

At 6500K, the LTAD-6527-C18-24D tunable white LED downlight has the following IES performance.



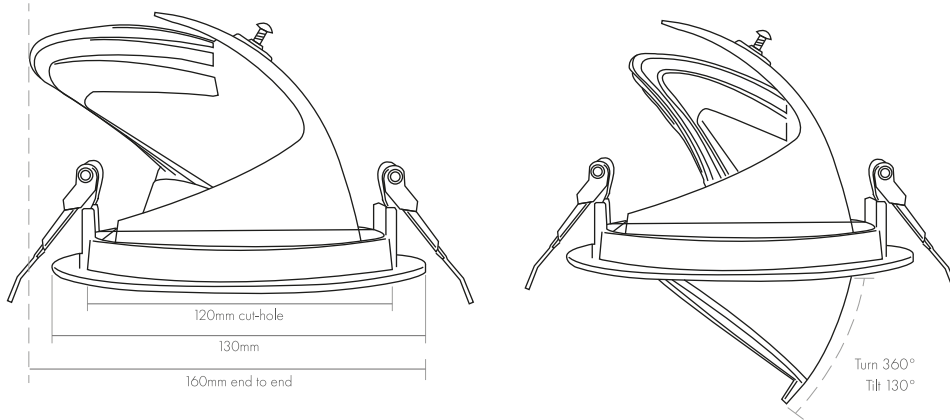
Height	AVR E	CENTER E	Diameter
1.0m	3795.04lx	5005.14lx	43.81cm
2.0m	947.26lx	1423.78lx	87.63cm
3.0m	421.05lx	632.79lx	131.44cm
4.0m	236.82lx	355.79lx	175.26cm
5.0m	151.84lx	237.41lx	219.07cm

Angle: 24.7deg



LEGENDTECH®

Dynamic Lighting



Tunable White Control

In order to deliver the tuneable white functionality of the LTAD-6527-C18-24D, a Dynamic Lighting Controller is required. In order to control the intensity and Colour Temperature value of the LTAD-6527-C18-24D, a Dynamic Lighting controller is required.



Product Summary

Model: LTAD-6527-C18-24D

Product

Operating Voltage (dc)	36 - 38V
Operating Current (mA)	500 mA
Light Source	LUMINUS DEVICE
Power	20W
Beam Angle	24°
Rotating Angle	360°
Tilting Angle	130°
Correlated Colour Temperature	6500K – 2700K
CRI	90
Colour	White
Materials	Metal Housing
Protection Class	Class III
Dimmable	Phase-Cut Dimming

Performance

Max Luminous Intensity (cd)	5719cd @ 6500K, 4651 cd @ 2700K
Luminous Flux (lm)	1700lm @ 6500K, 1413lm @ 2700K
Luminous Efficacy (lm/W)	84lm/W @ 6500K, 68lm/W @ 2700K
Rated Life (hrs)	50000
IP Rating	IP20

Dimensions

Diameter (mm)	135
Height (mm)	108
Cut-Out (mm)	120

Option

Model	Power	CCT Tuneable Range	CRI	Driving Current	Beam Angle
LTAD-6527-C18-24D	20W	6500 – 2700K	90	500mA @ 36V	24°
LTAD-4018-C18-24D	20W	4000 – 1800K	95	500mA @ 36V	24°