

LEGEND TECH DIMEZE

Multi-Way LED Phase Dimmer – 450W Product Series



SPECIFICATIONS

Model Number	DZ4G450MULT
Control Interface	One Touch 3-in-1 Operation (ON/OFF, DIM, RAMP DIRECTION TOGGLE)
Operation Range	220 – 240Vac @ 50Hz
Loading Range (Max / Min)	450W / 3W
Over Temperature Protection	Built-in; Once Dimmer in Protection, Manually Reset (AC OFF/ON)
Short Circuit Protection	Built-in
Load Suitability (Trailing-edge Operation Only)	Dimmable LED, Incandescent, Halogen, Electronic Transformer; Not Suitable for Motor Loads or Magnetic Transformers
Adjustable Minimum Dimming Level	Allows minimum dimming level to be set at a point best suits the load
Restrike	Switches ON the lamp briefly before dimming to last dimmed level
Operation Temperature	0 - 60°C
Humidity	15 – 85% Non-Condensing
Switch Plate Compatibility	Fits all Schneider-Clipsal E30 Series Aperture (23 x 23mm) Compatible Plates
Wire Size	1 x 2.5mm ² or 2 x 1.5mm ²
Control Button Color	White, Black & Champagne Gold

DESCRIPTION

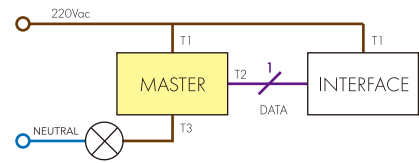
DZ4G450MULT is a feature rich LED phase dimmer that can be operated individually or used in conjunction with other DZ4G450MULT units to form a network for Multi-Way Dimming Operation. Scene-Setting feature further simplifies brightness level control.

Features	Description
One Touch 3-in-1 Operation	To control the Lighting load with a single button: (a) Short Press for ON/OFF, (b) Hold for Dimming, (c) Quick Release & Hold for Toggling Ramping Direction
Scene Setting	To toggle between FOCUS or RELAX Light Receipt, Quickly Switch-Off-&-On the lamp in < 5 sec
Minimum Brightness Level Memory	To SET or CLEAR a registered memory level to avoid flickering at a lower brightness level
Restrike	To enable Switching-ON the LED load at a low level; Suggest to Keep RESTRIKE option ON
Multi-Way Dimming Operation	To dim the SAME LED lamp(s) seamlessly at Multi Locations

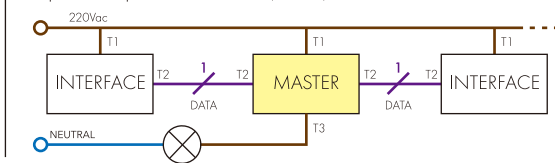
MULTI-WAY LED DIMMER OPERATION

When used for Multi-Way dimming operation, the DZ4G450MULT unit that connects to the LED Fixture(s) is the **MASTER** unit in the loop. While each DZ4G450MULT unit can be used as the **MASTER** unit, there is always only a single **MASTER** unit in each loop. The remaining units in the loop are the **INTERFACE** units that require only Live-connection and a single wire connection to the **MASTER** unit's **DATA PORT** for inter-communication.

Multi-Way Dimming Implementation at **TWO** Locations:



Expandable Implementation to **THREE** (or more) Locations:



DIMMER OPTION SETTING / Minimum Brightness Level & Restrike



To Set Minimum Brightness Level

When the light is ON, at the desired level, set option to **SET** would register the current level as the Minimum Brightness Level. To clear the pre-set Minimum Level memory, at any level, set option to **CLEAR** and the lamp would be dimmed to the lowest possible level. When dimming @ either **MAX** or **MIN** level, blue LED indicator will normally **FLASH**.

To Enable Restrike

Some LED lamps cannot be switched ON at a low level, this is when our RESTRIKE option comes in handy. When RESTRIKE is **SET**, the lamp may be on to a high level momentarily before resuming to last dimmed level.

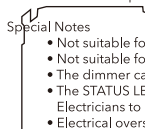
Note:

Dimming LEDs is more complex than dimming other traditional lighting. Not all dimmable drivers have the same sophistication and dimming characteristics vary between driver manufacturers. The dimmer has custom algorithms that allow the processor to adopt to a broad range of variation, but we cannot guarantee compatibility with every driver that may be encountered. Any dimming difficulties should be taken up with the manufacturer of the lighting product concerned or contact us for advice. This dimmer is not suitable for mixed load types.

INSTALLATION INSTRUCTIONS

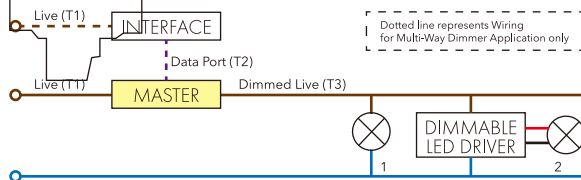
The product must be used in conjunction with a standard switch plate and/or modular switch. Ensure the power has been turned off at circuit breaker (MCB) before attempting installation or changing the load. The module should only be installed by a Licensed Electrician.

1. Disconnect power from the circuit and ensure it is safe
2. Fit DZ4G450MULT modular dimmer into switch plate aperture (23 x 23mm) & be mounted in a suitable enclosure
3. Connect as per **WIRING** diagram (**Always IN SERIES with the LOAD**)
4. Reconnect power & confirm operation



- Not suitable for mixed loads (all lamps on the circuit should be the same type)
- Not suitable for controlling motors of any size or Magnetic Transformers
- The dimmer can be reset by switching it Off & On, but dimmer will only resume operation after the heat inside has been dissipated properly
- The STATUS LED will **BLINK CONTINUOUSLY** if a fault, such as **OVERLOAD** or **OVER TEMPERATURE** scenario occurs. In such cases, have a Licensed Electrician to examine wiring and the lamp / LED driver selection.
- Electrical overstress can damage the dimmer; for product evaluation, suggested to increase loading incrementally.

WIRING



MASTER unit connection represents basic wiring. In Multi-way operation, only the **MASTER** unit is connected to the **LED load**.

The **LED Load** can be a Dimmable GU10, Fixture with Built-in Dimmable Driver⁽¹⁾, or External Phase Dimmable LED Driver or a 12Vac Electronic Transformer (ELV) that drives a Dimmable LED MR16 bulb⁽²⁾. However, this diagram is shown for illustration only. **Mixed Load is not suggested.**

INTERFACE unit(s) is only connected in Multi-Way operation; always leaves T3 open for **INTERFACE** units.

Warning Notes

The DIMEZE™ digital dimmer is a solid state device, 240V will be present at the load even when the dimmer is switched off. The power must be switched off at the Circuit Breaker (MCB) to isolate the circuit before replacing faulty lighting loads or blown lamps.

This dimmer must be fitted to a Wall Plate and installed on a suitable enclosure (mounting block or flush box). The input terminals and wires should not be accessible when the product is being used.

Warranty Statement

The DIMEZE™ digital LED dimmer is guaranteed for a period of 5 years from the date of purchase against defects in workmanship and materials. Defects will be rectified by replacement of the product. This warranty becomes null and void if in our opinion the product has been misused, incorrectly installed, tampered with, or subject to power surges. The warranty does not include any labor or other associated expenses that may be involved in removal or installation of the production. To obtain a replacement under this guarantee, return the goods (prepaid) to the place of purchase (proof of purchase must be supplied).



Legend Tech International Holdings Limited

www.legendtech.com.hk

WALL PLATE INSTALLATION

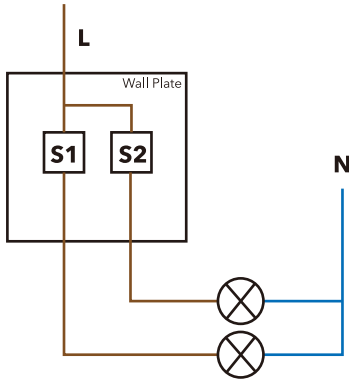
ONE GANG INSTALLATION



Insert DZ4G450MULT Module into a Schneider Clipsal or Compatible Wall Plate with a single 23 x 23mm aperture.

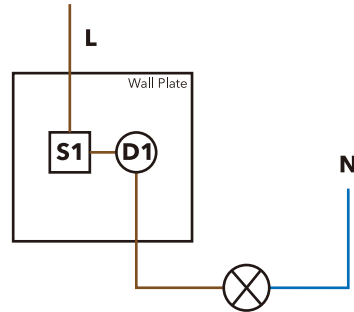
* DZ4G450MULT with Schneider AVATAR on plates.

TWO GANG INSTALLATION



S1 / S2: DZ4G450MULT Module

Two DZ4G450MULT modules on a 2 Gang Wall Plate for Separate Control.



S1: On/Off Switch

D1: DZ3G450DIAL (example) or others

Separate On/Off switch to feed AC Power to DZ3G450DIAL.

For two groups of separate control with On/Off switches, a wall plate with four 23x23mm apertures required.